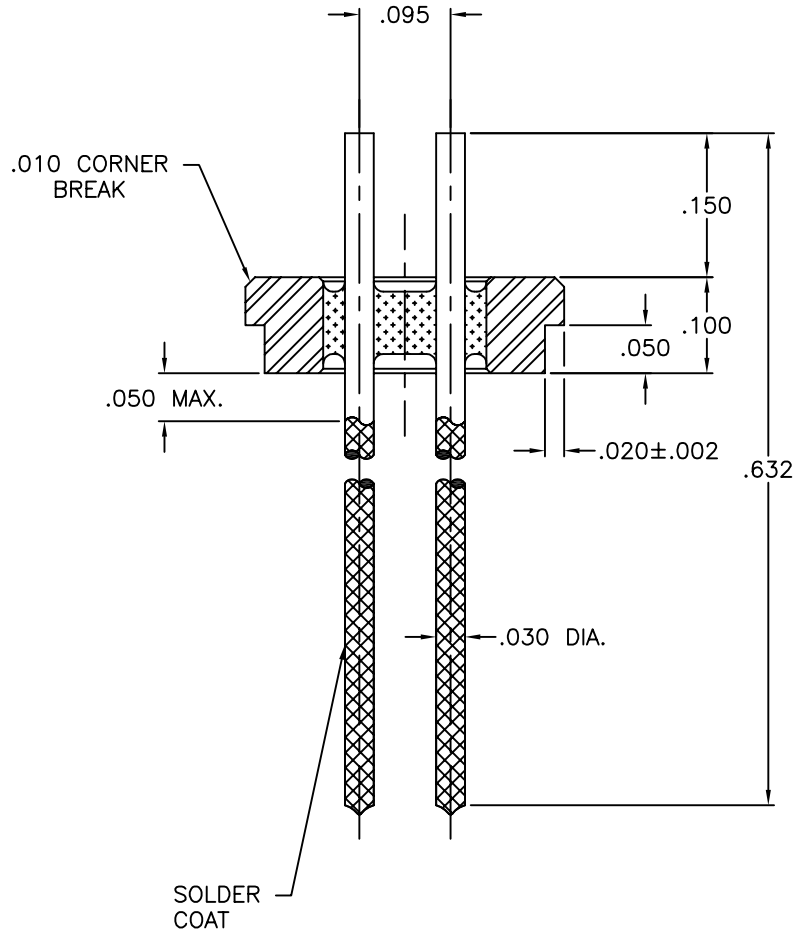


REV	DESCRIPTION OF REVISION	E.C.N.	BY	APPROVED	DATE
-----	-------------------------	--------	----	----------	------

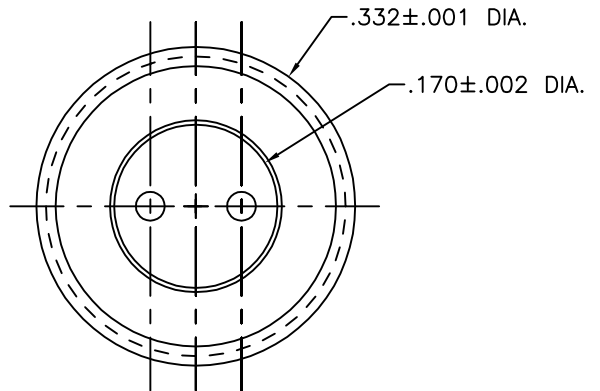



**MATERIAL:**

- EYELET - 12L14 OR 1215 C.R.S.
- GLASS - 9013 OR EQUAL.
- LEADS - ASTM F-30, 52 ALLOY.

**PLATING:**

1. ELECTROLESS NICKEL FINAL PLATE OF 100 MICROINCHES MINIMUM.
2. SOLDER COAT ON LEADS ONLY PER MIL-STD QQ-S-571-D TIN LEAD ALLOY..



DRAWN BY: E.T.W. 11-05-01	MATERIAL: SEE ABOVE			TOLERANCING PER ANSI Y14.5		 Legacy Technologies Inc. 6700 W. 47th TERR. MISSION, KS. 66203 TEL: 913-432-2487 FAX: 913-432-0570		
	CHECKED BY: E.T.W. 11-05-01	APP. SPECS	SUPERSEDES	NEXT ASSY HS-FT-3322-B	.X ± .005 .XXX ± .005 .XX ± .005 ANG ± 5° UNLESS OTHERWISE SPECIFIED		PART NUMBER: FT-3322-B-LT	
APPROVED BY:	TITLE: FEED THRU				SCALE: 5:1	FINISH: UNLESS OTHERWISE SPECIFIED <input checked="" type="checkbox"/>	FILE: EA00084	PAGE 1 of 1