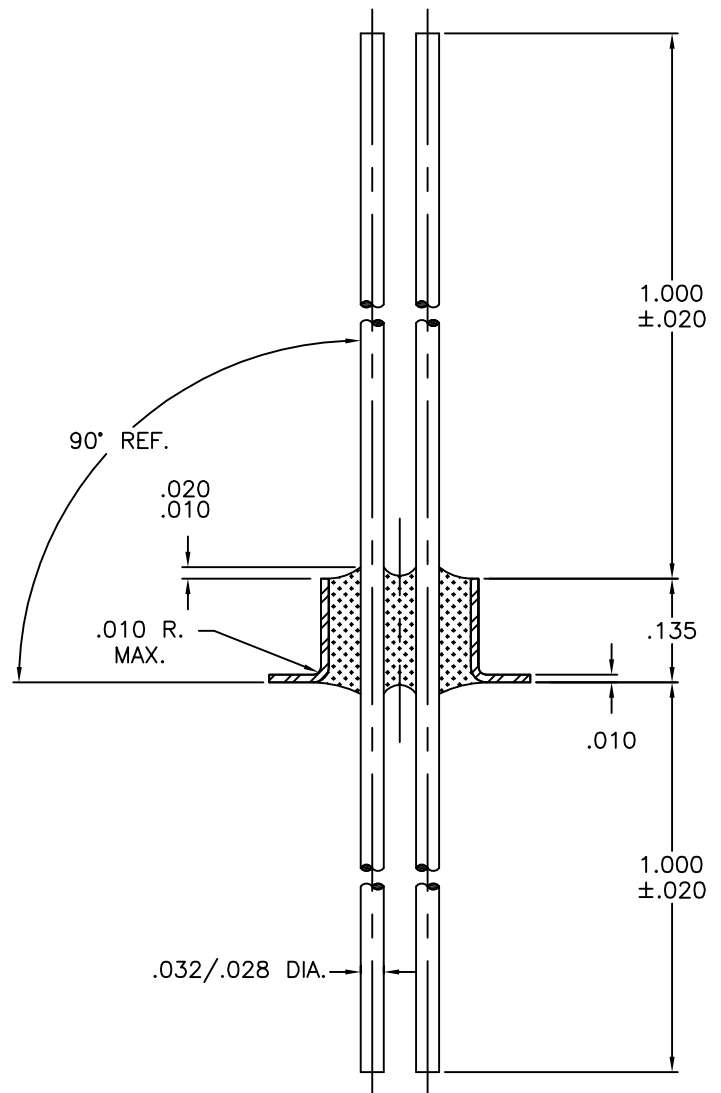
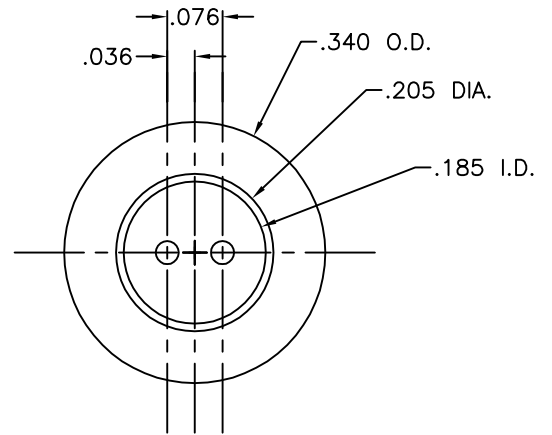


THE INFORMATION CONTAINED IN THIS DRAWING IS THE SOLE PROPERTY OF LEGACY TECHNOLOGIES, INC. ANY REPRODUCTION IN PART OR WHOLE WITHOUT THE WRITTEN PERMISSION OF LEGACY TECHNOLOGIES, INC. IS PROHIBITED.

REV	DESCRIPTION OF REVISION	E.C.N.	BY	APPROVED	DATE
A	CHANGED P/N: FT-3752-B RoHS & EYELET WAS E-257 NOW E-267		E.T.W.	D.B.	05-15-14




**MATERIAL:**

- EYELET - ASTM F-15 ALLOY, KOVAR.
- GLASS - 7052 OR EQUAL.
- LEADS - ASTM F-15 ALLOY, KOVAR.

**PLATING:**

1. RoHS COMPLIANT ELECTROLESS NICKEL PLATE OF 100 MICRONS MINIMUM FINAL PLATE.

DRAWN BY: E.T.W. 07-22-10	MATERIAL: SEE ABOVE			TOLERANCING PER ANSI Y14.5		 <b>Legacy Technologies Inc.</b>	6700 W. 47th TERR. MISSION, KS. 66203 TEL: 913-432-2487 FAX: 913-432-0570	
				.X ± .005	.XXX ± .005			SCALE: 4:1
CHECKED BY: E.T.W. 07-22-10	APP. SPECS	SUPERSEDES	NEXT ASSY	UNLESS OTHERWISE SPECIFIED		FILE: EA00103A	PAGE 1 of 1	
APPROVED BY:	TITLE: FEED THRU							