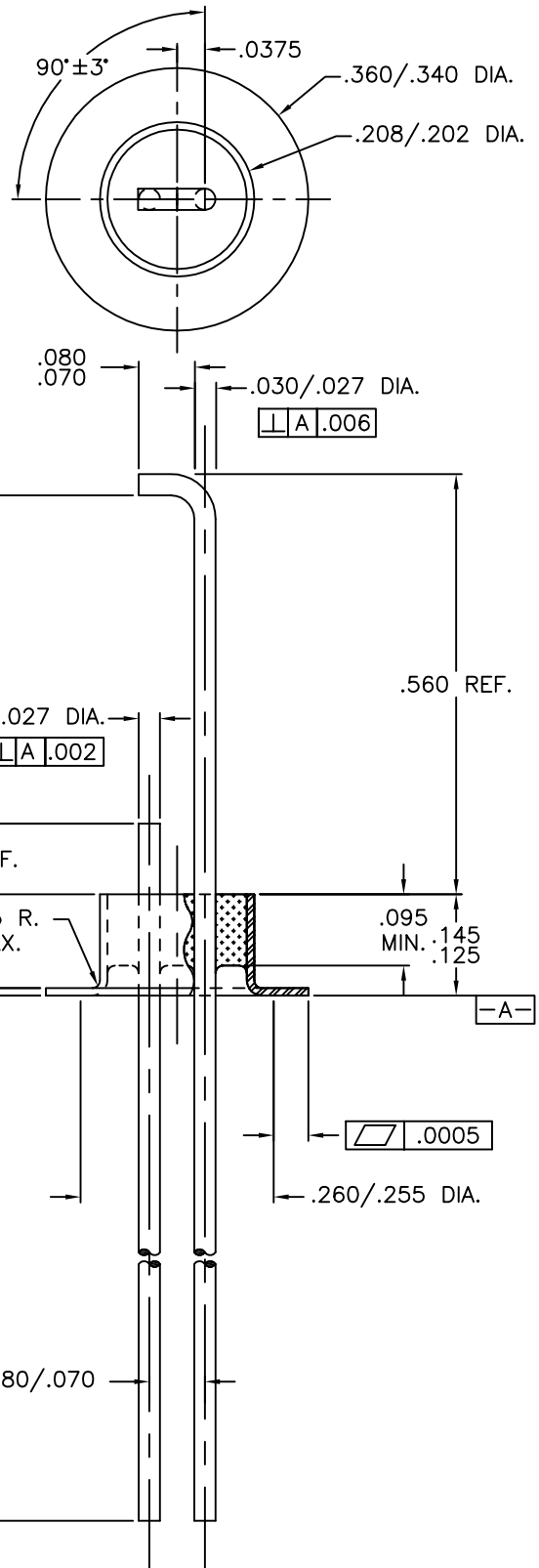


REV	DESCRIPTION OF REVISION	E.C.N.	BY	APPROVED	DATE
-----	-------------------------	--------	----	----------	------




MATERIAL:

- EYELET - ASTM F-15 ALLOY, KOVAR.
- GLASS - 7052 OR EQUAL.
- LEADS - ASTM F-15 ALLOY, KOVAR.

PLATING:

1. RoHS COMPLIANT ELECTROLESS NICKEL PLATE OF 100 MICROINCHES MINIMUM FOLLOWED BY 10 MICROINCHES MINIMUM OF ELECTROLYTIC GOLD PER MIL-G-45204B, TYPE 3, GRADE A, CLASS 00 REF.

DRAWN BY: E.T.W. 08-07-12	MATERIAL: SEE ABOVE			TOLERANCING PER ANSI Y14.5		 Legacy Technologies Inc.	6700 W. 47th TERR. MISSION, KS. 66203 TEL: 913-432-2487 FAX: 913-432-0570
				.X ± .005	.XXX ± .005		
CHECKED BY: E.T.W. 08-07-12	APP. SPECS	SUPERSEDES	NEXT ASSY	.XX ± .005	ANG ± 5°	PART NUMBER: FT-3502-028A RoHS G8	FILE: EA00117A
				SCALE: 4:1			
APPROVED BY:	TITLE: FEED THRU					PAGE	1 of 1