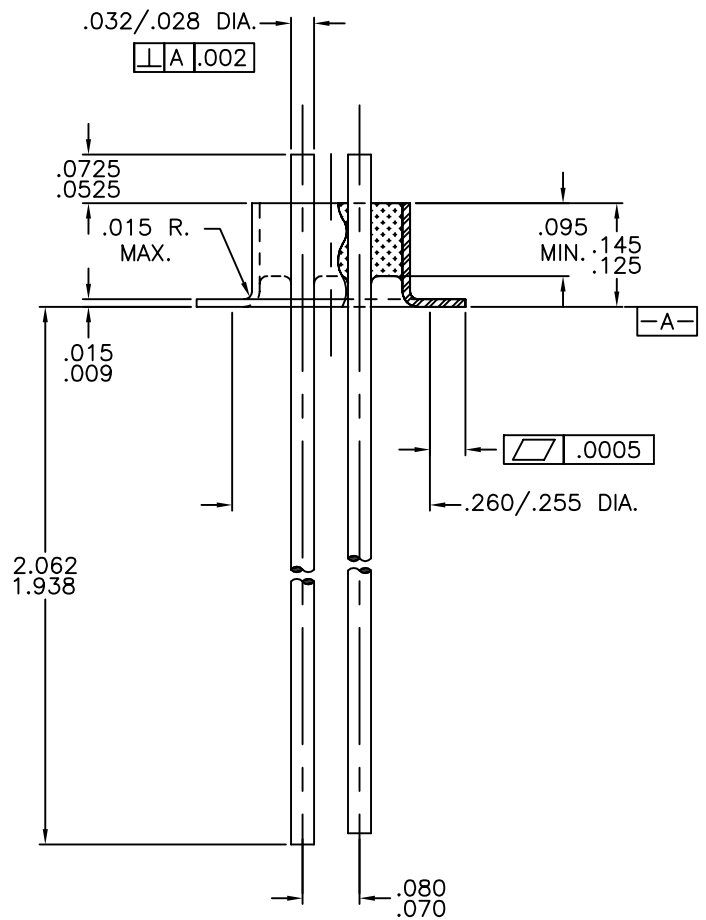
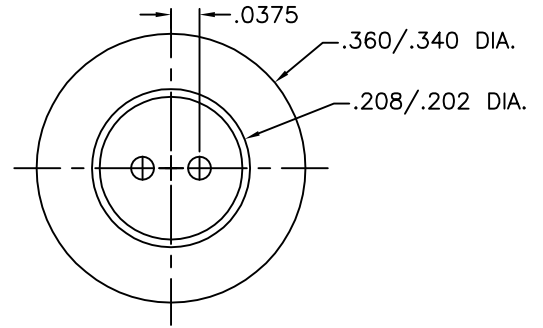


| REV | DESCRIPTION OF REVISION | E.C.N. | BY | APPROVED | DATE |
|-----|-------------------------|--------|----|----------|------|
|-----|-------------------------|--------|----|----------|------|




**MATERIAL:**

EYELET - ASTM F-15 ALLOY, KOVAR.  
 GLASS - 7052 OR EQUAL.  
 LEADS - ASTM F-15 ALLOY, KOVAR.

**PLATING:**

1. RoHS COMPLIANT ELECTROLESS NICKEL PLATE OF 100 MICROINCHES MINIMUM FOLLOWED BY 10 MICROINCHES MINIMUM OF ELECTROLYTIC GOLD PER MIL-G-45204B, TYPE 3, GRADE A, CLASS 00 REF.

|                                 |                                   |            |            |  |                                      |   |
|---------------------------------|-----------------------------------|------------|------------|--|--------------------------------------|---|
| DRAWN BY:<br>E.T.W.<br>11-13-12 | MATERIAL:<br>SEE ABOVE            |            |            | TOLERANCING PER ANSI Y14.5<br>.X ± .005 .XXX ± .005<br>.XX ± .005 ANG ± 5°<br>UNLESS OTHERWISE SPECIFIED |                                      | <br>Legacy Technologies Inc.<br>6700 W. 47th TERR.<br>MISSION, KS. 66203<br>TEL: 913-432-2487<br>FAX: 913-432-0570 |
|                                 | CHECKED BY:<br>E.T.W.<br>11-13-12 | APP. SPECS | SUPERSEDES | NEXT ASSY  | SCALE: 4:1                           |   |
| APPROVED BY:                    | TITLE:<br>FEED THRU               |            |            |  | PART NUMBER:<br>FT-3502-030B RoHS G8 |   |
|                                 |                                   |            |            |  | FILE: EA00118A                       | PAGE 1 of 1   |