

REV	DESCRIPTION OF REVISION	E.C.N.	BY	APPROVED	DATE
A	ADDED -Z		E.T.W.	E.T.W.	06-01-12

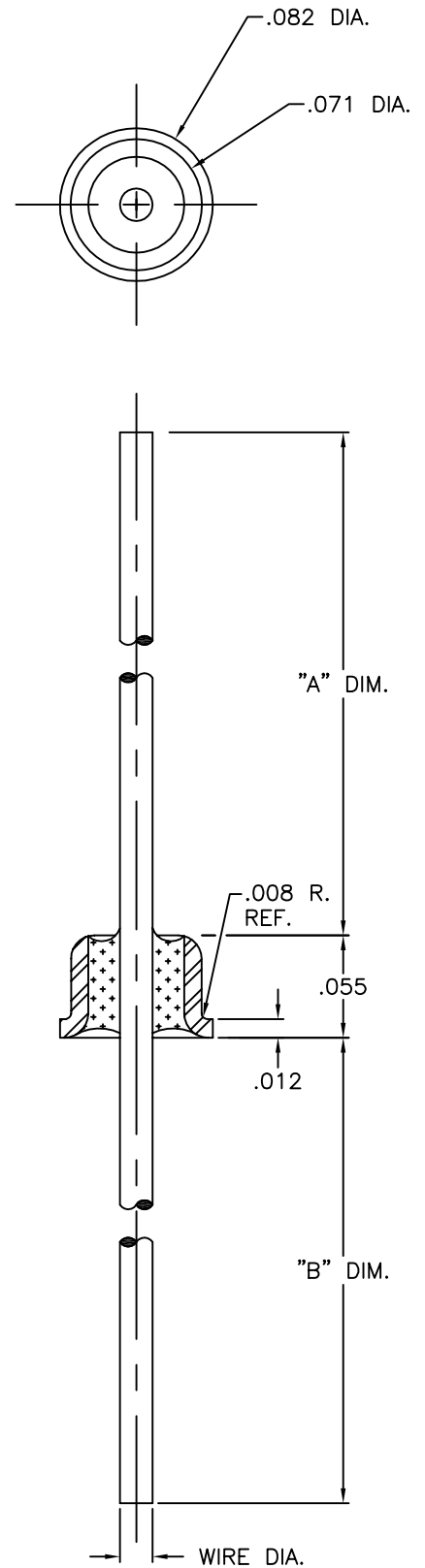
FT-085-Z T16	.725±.010	.770±.010	.019/.016
FT-085-Y T16	.445±.010	.166±.008	.019/.016
FT-085-X T16	.445±.010	.250±.008	.019/.016
FT-085-W T16	.230±.010	.180±.010	.019/.016
FT-085-V T16	.505±.010	.180±.010	.019/.016
FT-085-S T16	.307±.010	.390±.010	.019/.016
FT-085-R T16	.319±.010	.220±.010	.019/.016
FT-085-N T16	.457±.010	.250±.010	.019/.016
FT-085-M T16	.207±.010	.290±.010	.019/.016
FT-085-L T16	.138±.005	.059±.005	.019/.016
FT-085-K T16	.457±.010	.988±.010	.019/.016
FT-085-J T16	.238±.010	.988±.010	.019/.016
FT-085-H T16	.457±.010	.338±.010	.019/.016
FT-085-G T16	.457±.010	.488±.010	.019/.016
FT-085-F T16	.238±.010	.988±.010	.019/.016
FT-085-E T16	.238±.010	.223±.010	.019/.016
FT-085-D T16	.238±.010	.160±.010	.019/.016
FT-085-C T16	.307±.010	.250±.010	.019/.016
FT-085-B T16	.167±.010	.198±.010	.019/.016
FT-085-A T16	1.457±.010	.488±.010	.019/.016
PART NO.	"A" DIM.	"B" DIM.	WIRE DIA.

MATERIAL:

EYELET - ASTM F-15 ALLOY, KOVAR.
 GLASS - 7052 OR EQUAL.
 LEAD - ASTM F-15 ALLOY, KOVAR.

PLATING:

- RoHS COMPLIANT ELECTROLESS NICKEL PLATE OF 100 MICROINCHES MINIMUM FOLLOWED BY TIN LEAD ALLOY PER QQ-S-571-D.



DRAWN BY: E.T.W. 09-20-06	MATERIAL: SEE ABOVE	TOLERANCING PER ANSI Y14.5 .X ± .005 .XXX ± .005 .XX ± .005 ANG ± 5 UNLESS OTHERWISE SPECIFIED		<p>6700 W. 47th TERR. MISSION, KS. 66203 TEL: 913-432-2487 FAX: 913-432-0570</p>	
CHECKED BY: E.T.W. 09-20-06	APP. SPECS	SUPERSEDES	NEXT ASSY FT-085 INSULATED SERIES		SCALE: 10:1
APPROVED BY:	TITLE: INSULATED FEED THRU	FINISH: UNLESS OTHERWISE SPECIFIED <input checked="" type="checkbox"/>		PART NUMBER: SEE PART NO.	
				FILE: EA00004L	PAGE 1 of 1