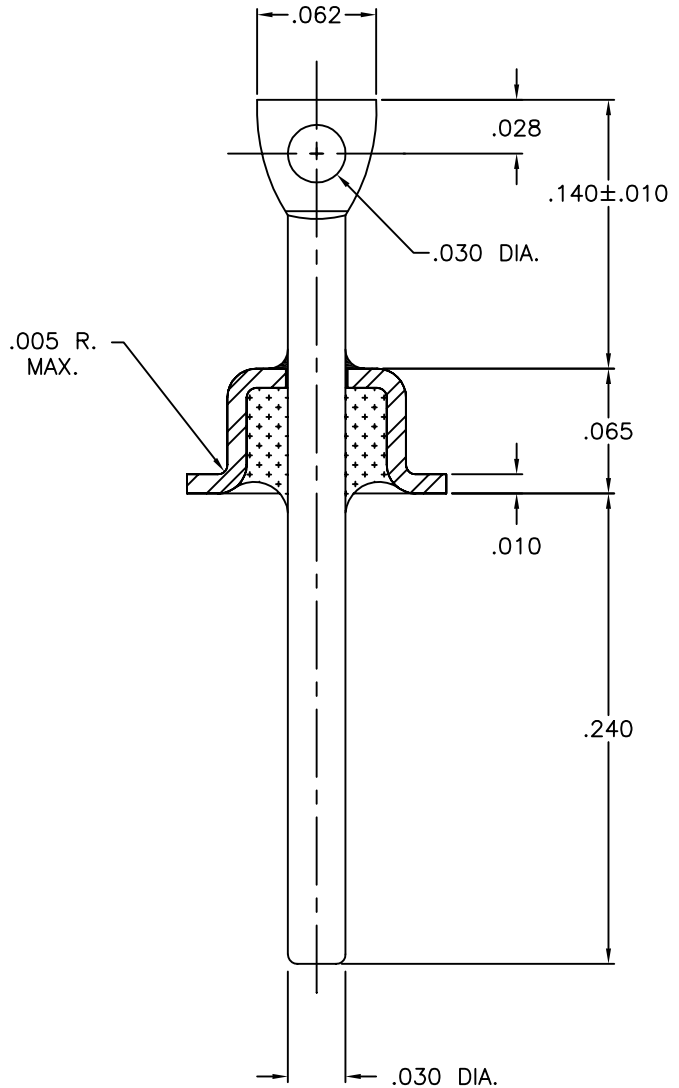
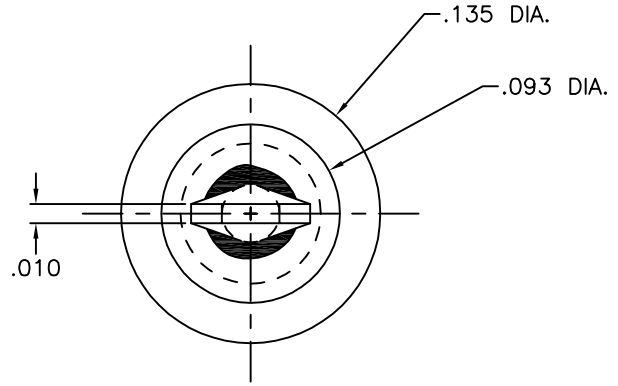



REV	DESCRIPTION OF REVISION	E.C.N.	BY	APPROVED	DATE
A	CORRECTED MATERIAL		T.J.M.	E.T.W.	02-26-97
B	WAS .130 REF.		E.T.W.	E.T.W.	06-22-05



MATERIAL:
 EYELET - ASTM F-15 ALLOY, KOVAR.
 GLASS - 7052 OR EQUAL.
 LEAD - ASTM F-15 ALLOY, KOVAR.
 BRAZE - BT VTG CU. AG. EUTETIC.

PLATING:
 1. PER PLATING MIL-STD QQ-S-571-D TIN LEAD ALLOY.

DRAWN BY: TINA MOSS 01-16-96	MATERIAL: SEE ABOVE			TOLERANCING PER ANSI Y14.5 .X ± .005 .XXX ± .005 .XX ± .005 ANG ± 5 UNLESS OTHERWISE SPECIFIED		 Legacy Technologies Inc. 6700 W. 47th TERR. MISSION, KS. 66203 TEL: 913-432-2487 FAX: 913-432-0570
	CHECKED BY: E.T.W. 01-18-96	APP. SPECS	SUPERSEDES	NEXT ASSY FT-001-J	SCALE: 10:1	
APPROVED BY:	TITLE: INSULATED FLATTEN AND PIERCED FEED THRU				PART NUMBER: FT-001-J	B
					FILE: EA00012	PAGE 1 of 1