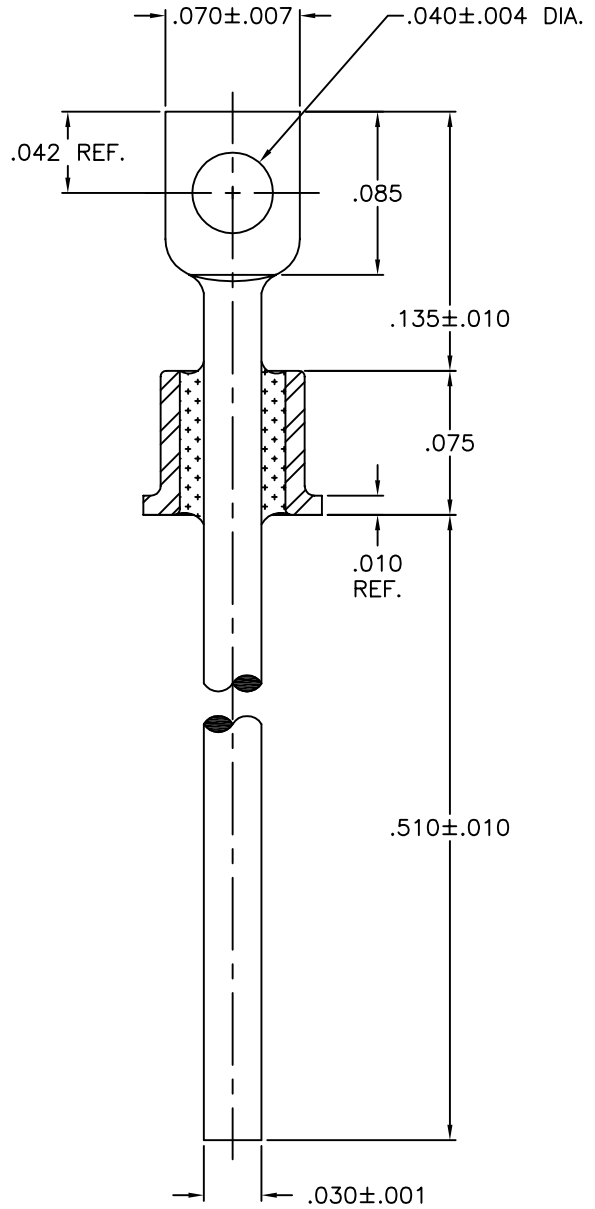
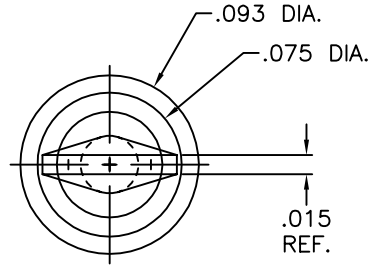



REV	DESCRIPTION OF REVISION	E.C.N.	BY	APPROVED	DATE
A	UPDATED DIM. TO MATCH EYELET PRINT. WAS .073 DIA.		E.C.	E.T.W.	09-03-14



MATERIAL:  
 EYELET - 1010 C.R.S.  
 GLASS - 9013 OR EQUAL.  
 LEADS - ASTM F-30, 52 ALLOY.

PLATING:  
 1. PLATE EYELET AND LEADS PRIOR TO FUSING WITH ELECTROLYTIC NICKEL. AFTER FUSING PLATE PER MIL-STD QQ-S-571-D TIN LEAD ALLOY.

DRAWN BY: E.T.W. 04-13-99	MATERIAL: SEE ABOVE			TOLERANCING PER ANSI Y14.5		 Legacy Technologies Inc.	6700 W. 47th TERR. MISSION, KS. 66203 TEL: 913-432-2487 FAX: 913-432-0570
	CHECKED BY: E.T.W. 04-13-99	APP. SPECS	SUPERSEDES	NEXT ASSY FT-092-030C	.X ± .005 .XXX ± .005 .XX ± .005 ANG ± 5 UNLESS OTHERWISE SPECIFIED		
APPROVED BY:	TITLE: INSULATED FLATTEN AND PIERCED FEED THRU				PART NUMBER: FT-092-030C T16		A
FILE: EA00057		PAGE		1 of 1			