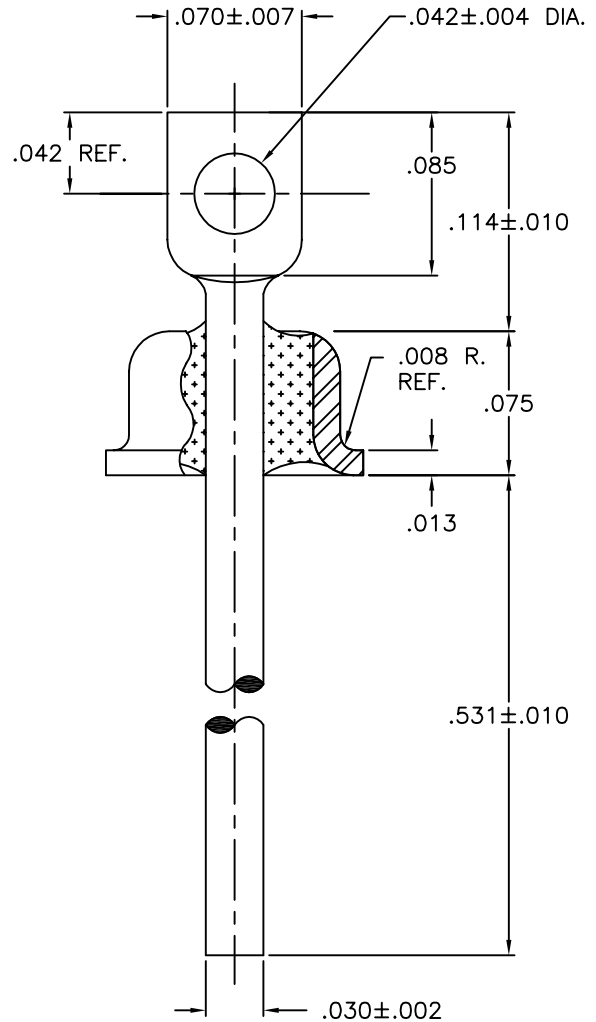
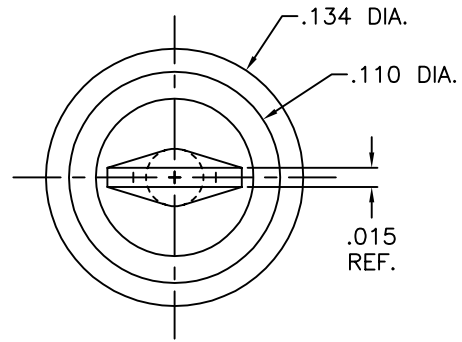



REV	DESCRIPTION OF REVISION	E.C.N.	BY	APPROVED	DATE
A	UPDATED DIM. TO MATCH EYELET PRINT. WAS .135 DIA. & THK .017		E.C.	E.T.W.	09-03-14



MATERIAL:
 EYELET - 1010 C.R.S.
 GLASS - 9013 OR EQUAL.
 LEADS - ASTM F-30, 52 ALLOY.

PLATING:
 1. PLATE EYELET AND LEADS PRIOR TO FUSING WITH ELECTROLYTIC NICKEL. AFTER FUSING PLATE PER MIL-STD QQ-S-571-D TIN LEAD ALLOY.

DRAWN BY: E.T.W. 03-01-10	MATERIAL: SEE ABOVE	TOLERANCING PER ANSI Y14.5 .X ± .005 .XXX ± .005 .XX ± .005 ANG ± 5 UNLESS OTHERWISE SPECIFIED		 <p>6700 W. 47th TERR. MISSION, KS. 66203 TEL: 913-432-2487 FAX: 913-432-0570</p>	
CHECKED BY: E.T.W. 03-01-10	APP. SPECS	SUPERSEDES	NEXT ASSY		PART NUMBER: FT-134-AL T16
APPROVED BY:	TITLE: INSULATED FLATTEN AND PIERCED FEED THRU	SCALE: 10:1		FINISH: UNLESS OTHERWISE SPECIFIED <input checked="" type="checkbox"/>	FILE: EA00067A
				PAGE	1 of 1