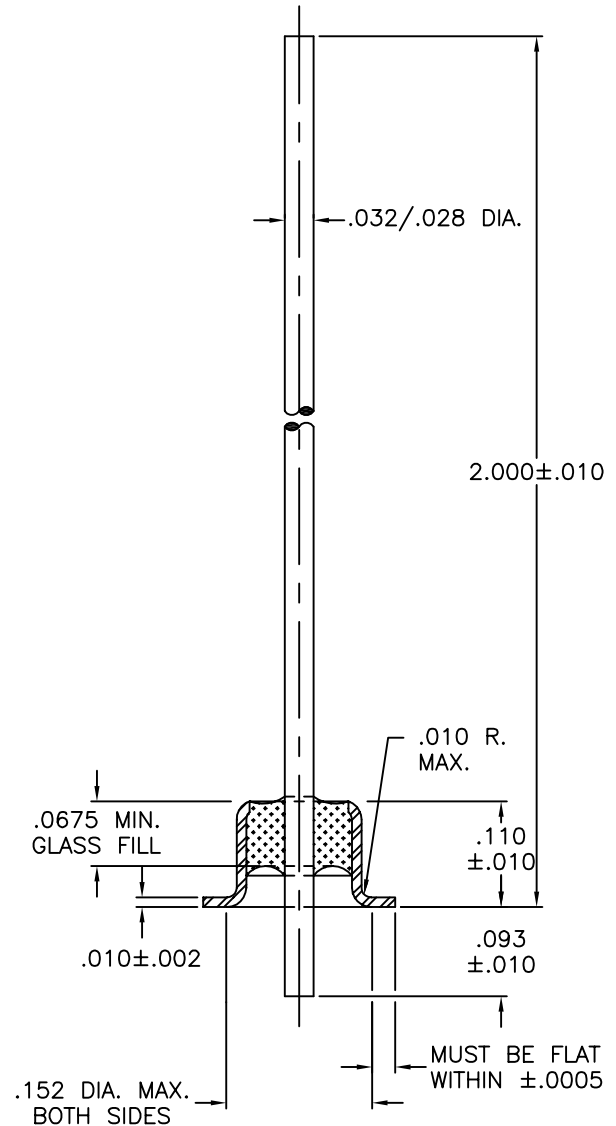
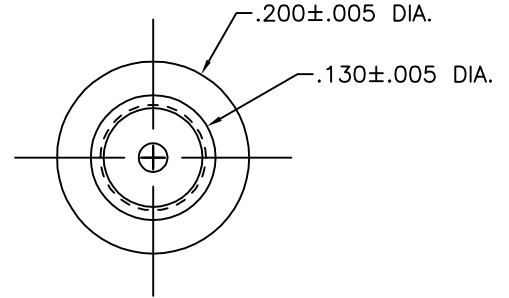



REV	DESCRIPTION OF REVISION	E.C.N.	BY	APPROVED	DATE
A	O.A.L. 2.000±.010 NOW 2.093±.010 CHANGED WHERE TO MEASURE		E.T.W.	D.B.	03-06-12



MATERIAL:
 EYELET - ASTM F-15 ALLOY, KOVAR.
 GLASS - 7052 OR EQUAL.
 LEAD - ASTM F-15 ALLOY, KOVAR.

PLATING:
 1. RoHS COMPLIANT ELECTROLESS NICKEL PLATE OF 100 MICROINCHES MINIMUM FOLLOWED BY 10 MICROINCHES MINIMUM OF ELECTROLYTIC GOLD PER MIL-G-45204B, TYPE 3, GRADE A, CLASS 00 REF.

DRAWN BY: E.T.W. 02-24-12	MATERIAL: SEE ABOVE	TOLERANCING PER ANSI Y14.5 .X ± .005 .XXX ± .005 .XX ± .005 ANG ± 5 UNLESS OTHERWISE SPECIFIED		 6700 W. 47th TERR. MISSION, KS. 66203 TEL: 913-432-2487 FAX: 913-432-0570	
CHECKED BY: E.T.W. 02-24-12	APP. SPECS	SUPERSEDES	NEXT ASSY		PART NUMBER: FT-200-030A RoHS G8
APPROVED BY:	TITLE: FILAMENT HEADER 730 FIXED PIN	SCALE: 5:1		FINISH: UNLESS OTHERWISE SPECIFIED <input checked="" type="checkbox"/>	FILE: EA00113A
				PAGE	1 of 1